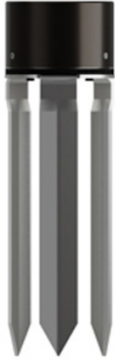


DATE:	PROJECT:	TYPE:
-------	----------	-------

CATALOG NUMBER LOGIC:



CATALOG NUMBER LOGIC

Example: B - KMJ - BZW

MATERIAL

(Blank) - Aluminum B - Brass S - Stainless Steel

SERIES

KMJ - 2 1/4" dia. round machined brass stake mount junction box

FINISH (See page 2 for full-color swatches)

Standard Finishes (BZP, BZW, BLP, BLW, WHP, WHW, SAP, VER)

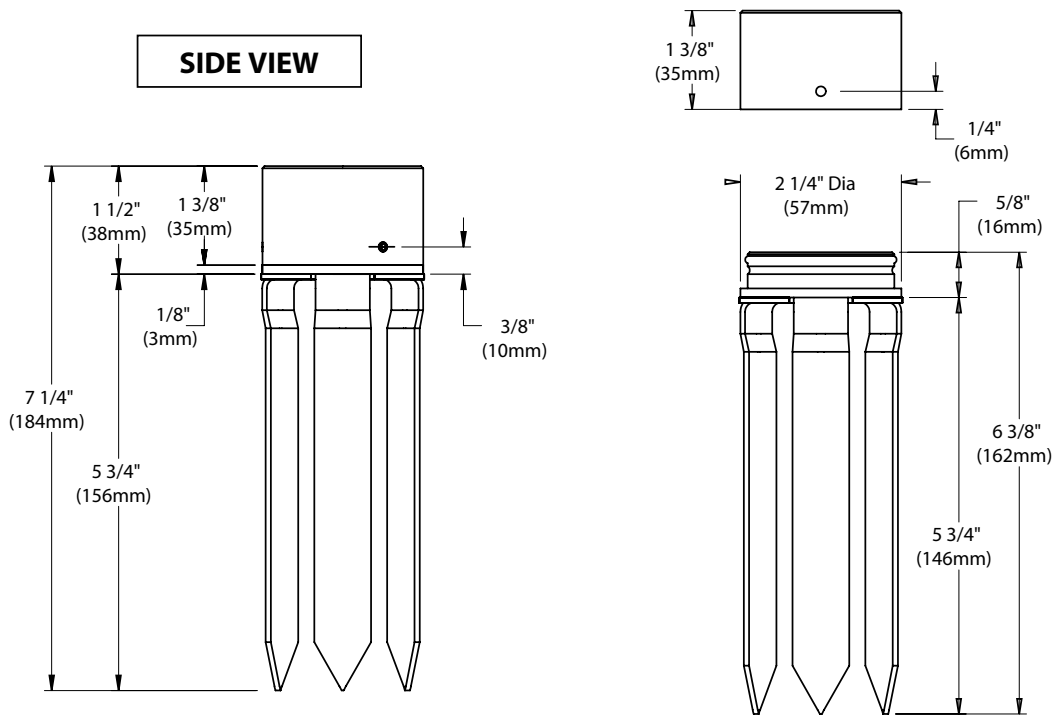
Premium Finish (ABP, AMG, AQW, BCM, BGE, BPP, CAP, CMG, CRM, HUG, NBP, OCP, RMG, SDS, SMG, TXF, WCP, WIR)

(Also available in RAL Finishes. See submittal SUB-1439-00)

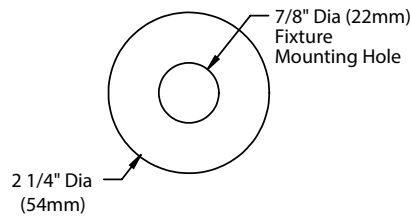
Brass Finishes (MAC, POL, MIT)

Stainless Steel Finishes (MAC, POL)

DATE: _____ PROJECT: _____ TYPE: _____



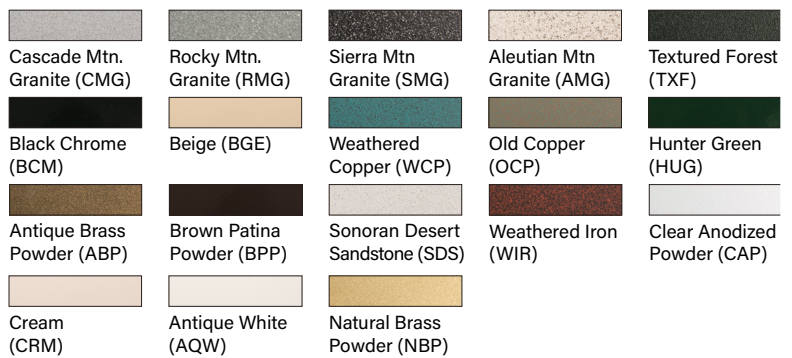
TOP VIEW



STANDARD FINISHES



PREMIUM FINISHES



[Click Here](#) to view larger, full-color swatches of all available finishes on our website.

DATE:	PROJECT:	TYPE:
-------	----------	-------

ACCESSORIES (Configure separately)

SPECIFICATIONS

PHYSICAL	INSTALLATION	Provides a clean, splice compartment and mounting system for low voltage lighting fixture (specified separately). For stake mounting into soil. Stake allows for repositioning as necessary. For use with remote low voltage transformer.
	CANOPY	Furnished in copper-free aluminum (6061-T6), brass (360), or stainless steel (304). 2 1/4" diameter. Machined from solid billet with chamfered edge. 7/8" dia. slip hole for use with 1/2" IP threaded nipple.
	MOUNTING STAKE	Stainless steel with machined, black anodized anchor base. 7/8" dia. through hole for low voltage wiring. High temperature, silicone 'O' Ring.
	HARDWARE	Tamper-resistant, stainless steel hardware.
	FINISH	StarGuard, our 15-stage, chromate-free process cleans and conversion coats aluminum components prior to application of Class 'A' TGIC polyester powder coating and is RoHS compliant. Brass components are available in powder coat or handcrafted metal finish. Stainless steel components only available in handcrafted metal finish.
	WARRANTY	5-year limited warranty.
	CERTIFICATION & LISTING	Certified to CAN/CSA/ANSI standards. UL Listed. Suitable for indoor and outdoor use. RoHS compliant. Made in USA with sustainable processes.

